



## The Stylish **QUADRA**

‘distortion-  
free’ art.



### 2 Driver/ 2 Amplifier/ 2 Way Wallmount Speaker System

- Active loudspeaker system.
- Design wallmount loudspeaker.
- Reduced harmonic distortion.
- Reduced reactive energy
- 110 Watt Total power
- Maximum SPL at 1 m 107 dB
- Magnetic shielded
- Loop-thru

The Ektif range of speakers are active sound systems in a variety of modern designs and colours.

From simple stereo applications to full 7.1 Surround sound systems and to satisfy even the most critical professional recording artist, Ektif offers a total solution with unheard quality for every user.

The Ektif range of speakers combine a variation of technologies ranging from cabinet design signal handling and built-in amplification. When Audio designers/ developers create new sound solutions, they have to take the following points into consideration:

- Modern compact design.
- Availability in many colours to fit interior design for business as private use.
- High SPL output levels.
- Clear and crisp sound.
- Extremely fast and accurate bass response.
- Lowest harmonic distortion.
- Transparency of sound
- High Imaging of the sound
- Lowest signal to noise ratio.
- Ease of connectability.
- Built-in amplification for every separate transducer
- Only use of quality components.
- To be less dependant of the quality of the speaker cable
- Affordable, which beats the highest quality for price.

The Ektif loudspeaker range offers these solutions based on the combinations of two top-Audio designers (Rob Meyst of Protech Audio Systems BV and Hans Groothuis of MASS Europe BV). This all in line with the highest quality-Audio components available.

Both their own-patented technologies combined together, created revolutionary solutions never used before.

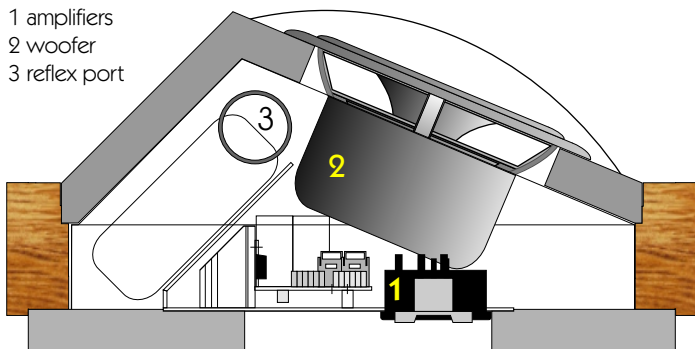
- The technology to reduce/ eliminate the vibrations/ harmonic resonance distortion<sup>®</sup> occurring in any modern speaker concept (Rob Meyst).
- The technology of modern amplification technology making use of the unique N.L.F.P (Non Linear Frequency Phasing<sup>®</sup>) together with the Audiobus<sup>®</sup> development (Hans Groothuis).

This resulted in modern designs offering an astonishing clear and crisp sound with extremely fast and accurate bass without noticeable harmonic distortion.

Ektif loudspeakers can be used easily for stereo reproduction, studio monitoring, stage and 7.1 Surround sound.

... Reproduction of Sound ... in a new **Time**

- 1 amplifiers
- 2 woofer
- 3 reflex port



Ektif loudspeakers will be automatically switched off when there is no Audio signal for a while and will switch on when playing starts or continues. All the models can be connected separately or daisy chained with standard available connectors. Balance line in/out is provided to bridge long distances and reduce interferences. Even higher SPL levels can be obtained using this connection.

All these features ensure that the Ektif range of speakers are ideally suited in every professional or home situation. When using speakers of the Ektif range in difficult environments less problems will be experienced. Attenuation is provided on the rear of every amplification unit to allow adjustments for every set of frequencies (in order to optimize for conditions in every room).

Special attention has been given to the design of Subwoofers. Not only should they reflect real instruments in combination with stereo imaging but also be fast enough for the quality used in modern cinema.

The Ektif range of subwoofers are capable to reproduce the lowest frequencies. The speed of the subwoofers provides an extremely fast and accurate bass response to create the image of large theatres (being live at the recording) and or movie -stage environments.

At the heart of Ektif's development is the amplification circuitry of MASS Europe with built-in patented NLFP technology ® (Non Linear Frequency Phasing).

This technology has the following benefits;

1. Higher SPL levels
2. Clearer sounds
3. Reduced harmonic distortion
4. Amazing transparency
5. Never heard before imaging of the sound
6. Extremely fast and accurate bass response
7. In various models the base response is flat from 24 Herz.

All these items together will give you a perfect performing sound system with an exact placement of instruments and unheard detail with extremely fast and accurate bass.

**If you are looking for any type of speaker the Ektif range provides a perfect solution.**

## Standard Product Information

# QUADRA

### Technical Specifications

Max SPL*	: 107 dB at 1 m
Amplifiers	: Powered by MASS Technologies 2 x 55 Watts sustainable peak
Power requirements	: 220 Volt
Crossover Frequency	: 2500 Hz
Frequency Response	: 50 - 20000 Hz ± 3 dB
Power consumption	: 44 mA (in standby mode)

Drivers	
Woofer	: 5" magnetically shielded papercone
Tweeter	: 28 mm magnetically shielded Neodymium softdome

Enclosure	
Volume	: 5 ltr
Weight	: 5 kg
Dimensions	: 310 mm x 310 mm x 155 mm {hwxwd}
Front	: Stainless Steel grill
Input / Output	: 3 way Phoenix connector
Power Indication	: Blue LED
Finish	: Satin or high-gloss
Colour	: Contemporary variety standard

Accessories	
Standard	: Directions for use : Phoenix connector supplied : Wallmount fittings supplied : 5 year warranty {conditions apply}
Optional	: Custom colour and finish : For best results use certified GOKON accessories and cables, available upon request.

\* Whilst Max SPL {Sound Pressure Level} is denoted, Ektif's use of patented technology allows for very little distortion even at higher output levels.